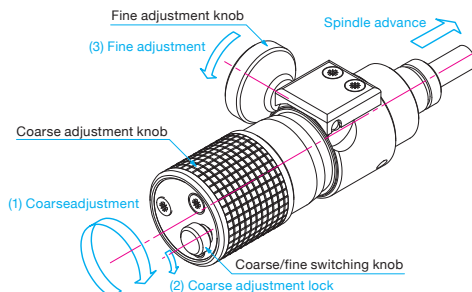


OptoSigma's unique worm-gear mechanism enables coarse and fine adjustment over the entire travel (13mm). The design reduces a system sizes as well as adjustment time.

- The fine or coarse knob can be use at any position along the 13 mm of travel.
- Allows resolution of 0.5μm over the entire travel.
- Non-rotating spindle



### Part Names and Handling Instructions



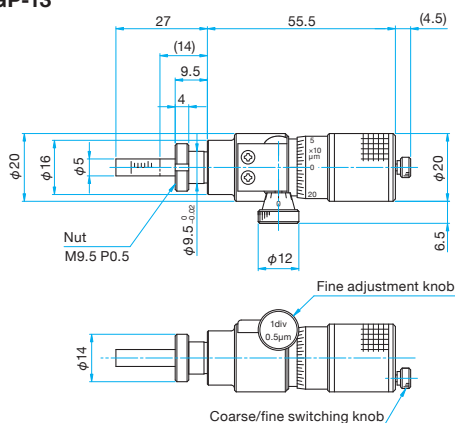
- (1) Coarse adjustment**  
Make a rough position adjustment using the coarse adjustment knob.
- (2) Coarse adjustment lock**  
Lock the coarse drive with the coarse/fine switching knob.
- (3) Fine adjustment**  
Make a fine adjustment using the fine adjustment knob.

| Common Specifications           |                              |
|---------------------------------|------------------------------|
| Travel [mm]                     | Coarse: 0 – 13, Fine: 0 – 13 |
| Load Capacity (Static load) [N] | 39.2 (4kgf)                  |
| Readable Resolution [mm]        | Coarse: 0.005, Fine: 0.0005  |
| Lead of Actuator [mm]           | Coarse: 0.25, Fine: 0.005    |
| Weight [kg]                     | 0.1                          |

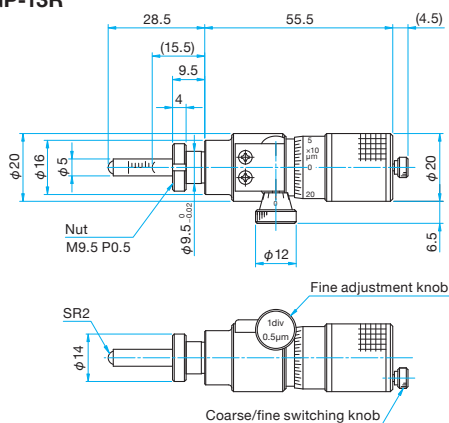
| Part Number | Tip Shape |
|-------------|-----------|
| WGP-13      | Flat type |
| WGP-13R     | R type    |

### Outline Drawing

WGP-13



WGP-13R



### Guide

- ▶ The micrometer head can be preinstalled with a manual stage. Contact our Sales Division for more information.

### Attention

- ▶ Depending on the stage type, there is the possibility of shortened travel or interference with mounting parts. Contact our Sales Division when you exchange the micrometer head.
- ▶ The stopper inside the micrometer locks when you keep turning the coarse/fine adjustment knob. Stop turning the knob if you feel the micrometer overloaded or the micrometer will become damaged.
- ▶ Since the fine-adjustment uses a worm-gear mechanism, we recommend positioning from one direction to minimize backlash effects.



Example of combination with stage